

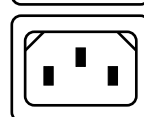
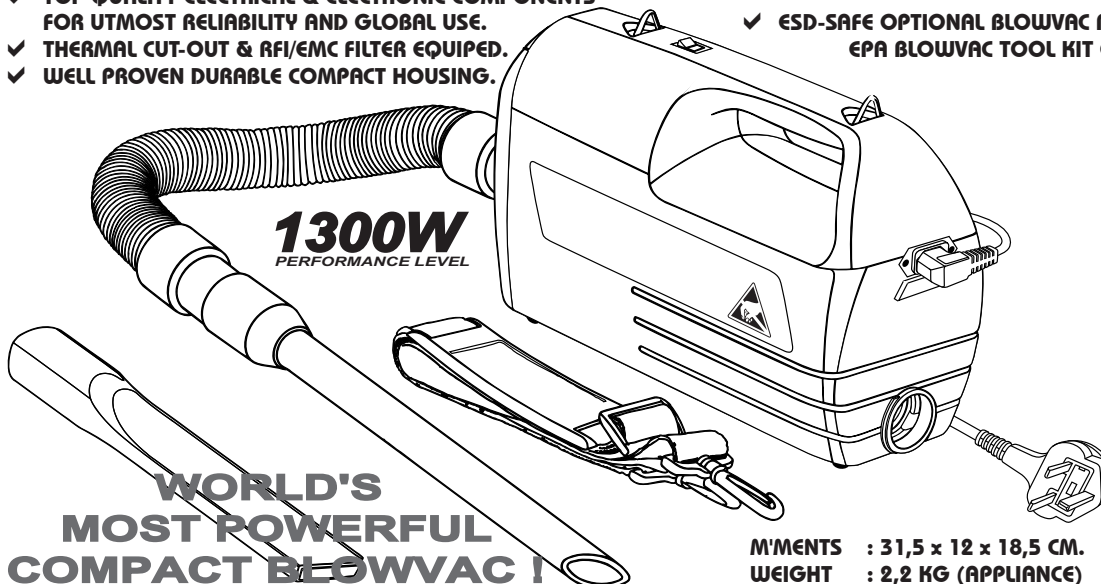
EPA BlowVac Special

MUNTZ 555-ESD-S GS

SPECIAL FIELD SERVICE & EPA BLOWVAC TO REMOVE DUST AND DEBRIS FROM ADVANCED ELECTRONIC EQUIPMENT HIGHLY SENSITIVE TO DUST AND STATIC BUILD UP IN FIELDS AS TELECOM, OFFICE AUTOMATION, SCIENTIFIC, MEDICAL AND SEMICONDUCTOR & ELECTRONICS INDUSTRIES REQUIRING TOP LEVEL "ELECTRONIC CARE".

- ✓ "BLOWVAC" = BLOWER AND VACUUM CLEANER IN ONE !
- ✓ NO CARRYING NOR INVESTMENT MULTIPLE APPLIANCES.
- ✓ PHENOMENAL SUCTION & BLOWPOWER !
- ✓ GENTLE CONTROLLED ESD-SAFE STATIC DISCHARGE ON TIP BLOW/VACUUM NOZZLES TO EARTH POWER OUTLET.
- ✓ TOTALLY ESD-SAFE TO EPA STANDARD IEC 61340-5-1.
- ✓ TOP QUALITY ELECTRICAL & ELECTRONIC COMPONENTS FOR UTMOST RELIABILITY AND GLOBAL USE.
- ✓ THERMAL CUT-OUT & RFI/EMC FILTER EQUIPED.
- ✓ WELL PROVEN DURABLE COMPACT HOUSING.

- ✓ HOSE ASSEMBLY EXTENDING FULL 130CM.
- ✓ BLOW & VACUUM USE HARD CREVICE NOZZLE AND SOFT RUBBER NOZZLE. LEATHER SHOULDERSTRAP.
- ✓ SPECIAL 1,2 LITRE MULTILAYER FILTERBAG.
- ✓ ADVANCED 5-STAGE FILTRATION SYSTEM.
- ✓ 3 METRE LONG FUSED UK 3-PIN PLUG CORDSET.
- ✓ ESD-SAFE OPTIONAL BLOWVAC ACCESSORIES AND EPA BLOWVAC TOOL KIT CASES AVAILABLE.



M'MENTS : 31,5 x 12 x 18,5 CM.
WEIGHT : 2,2 KG (APPLIANCE)

EPA BlowVac Special Electronic

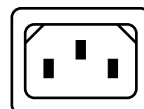
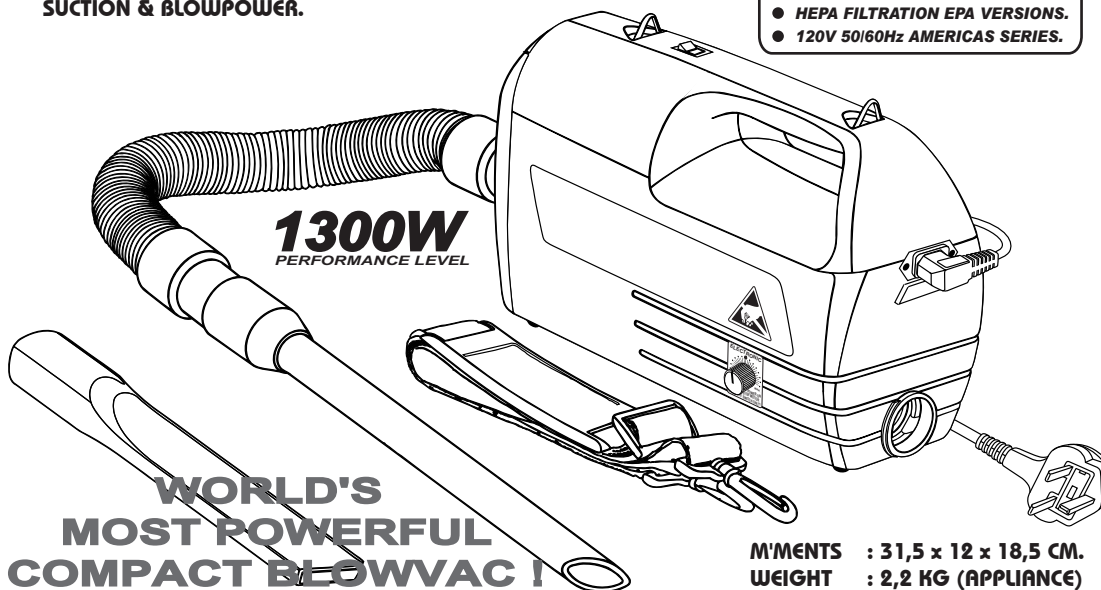
MUNTZ 555-ESD-S-E GS

ELECTRONIC VERSION. ADDED SPECIAL FEATURES ;

- ✓ FULL SUCTION & BLOWPOWER CONTROL.
- ✓ DIAL LABEL TO FACILITATE PRECISION DUST REMOVAL.
- ✓ ENABLES LOW NOICE USE WHILST RETAINING AMPLE SUCTION & BLOWPOWER.

OPTIONS ;

- HANDY STEEL CABLE BRACKETS + 10MM GROUNDING STUD (CB)
- 3 METRE EUROPEAN CORDSET.
- 5 METRE EXTRA LONG CORDSET.
- HEPA FILTRATION EPA VERSIONS.
- 120V 50/60Hz AMERICAS SERIES.



M'MENTS : 31,5 x 12 x 18,5 CM.
WEIGHT : 2,2 KG (APPLIANCE)

MUNTZ TECHNICS BV RESERVES THE RIGHT TO CHANGE, ALTER OR MODIFY IT'S APPLIANCES, REPLACEMENT PARTS, ACCESSORIES, OR THEIR PACKAGING, WITHOUT PRIOR NOTICE, EXCEPTING THOSE WITHIN SPECIFIC SUPPLY CONTRACT ARRANGEMENTS.

Manufactured In The Netherlands to European Community Standards No. 73/23/IEEC & 93/336/IEEC.

Fabrique en Pays-Bas conformement aux normes de la communité Europeenne 73/23/CEE & 93/336/CEE.

Hergestellt In Holland nach normen der EG 73/23/EWG & 93/336/EWG.

Fabricado en Holanda de conformidad con las normas comunitarias Europeas 73/23/CEE y 93/336/CEE.